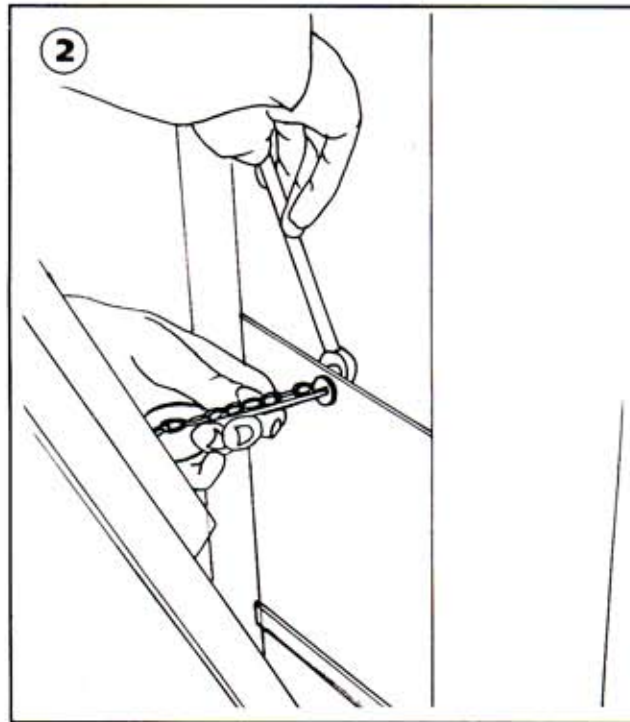


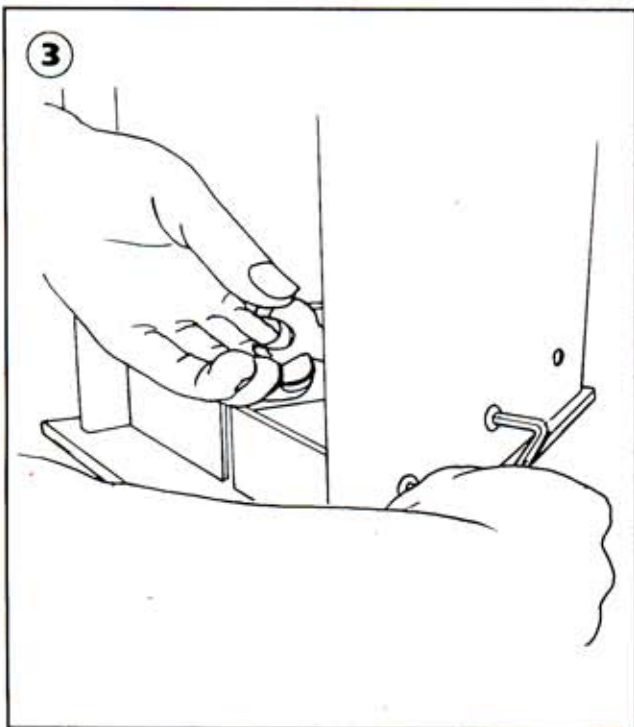
ASHGUARD™

Ground Fixing Instructions

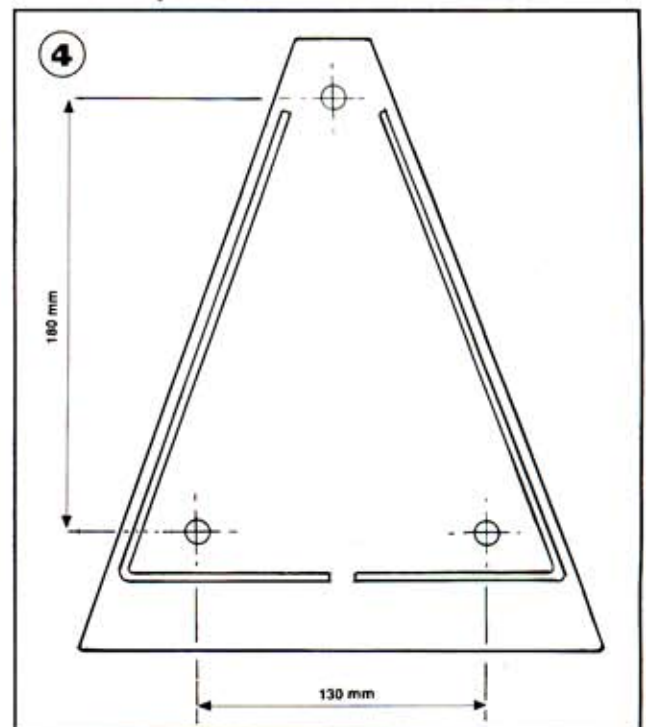


1) Select a suitable smooth level surface onto which the bin is to be secured.

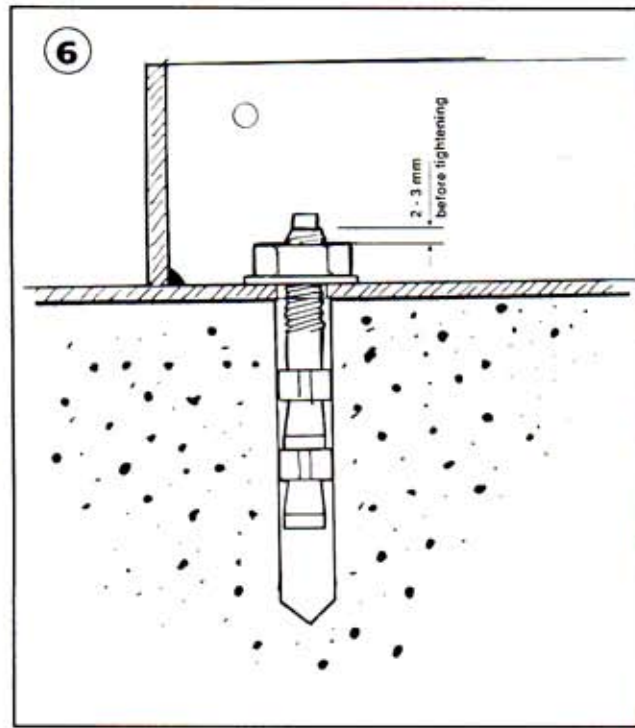
2) Open the unit door and using a screw-driver and 8mm spanner detach the door from the main body. Remove the door and liner and carefully lay to one side. Retain fixings for re-assembly.



3) Using a 10mm spanner and the Allen key provided separate the base plate from the main unit. Carefully place the main unit aside. Retain fixings for re-assembly.

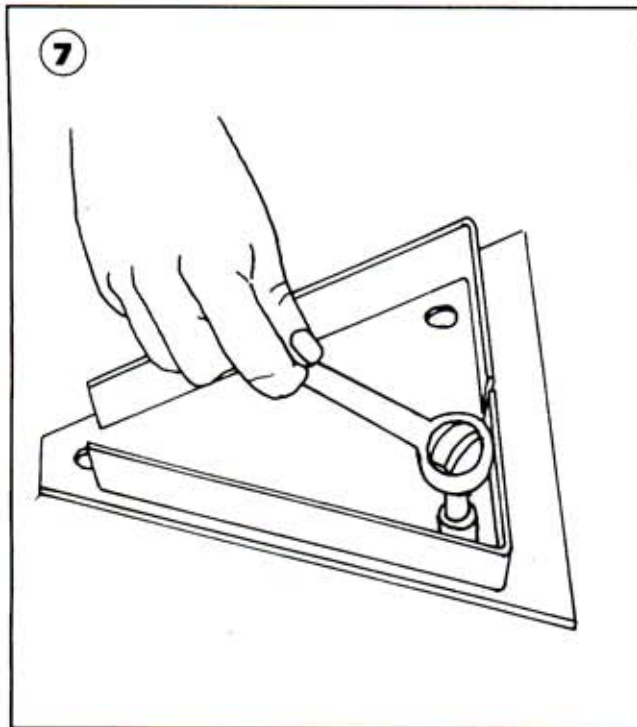


4) Place the base plate in the chosen position and mark the ground through the 3 fixing holes. Note: The unit may be fixed to a 2" (50 mm) thick flag stone. The holes should be a minimum of 110mm from the flag stone edge.

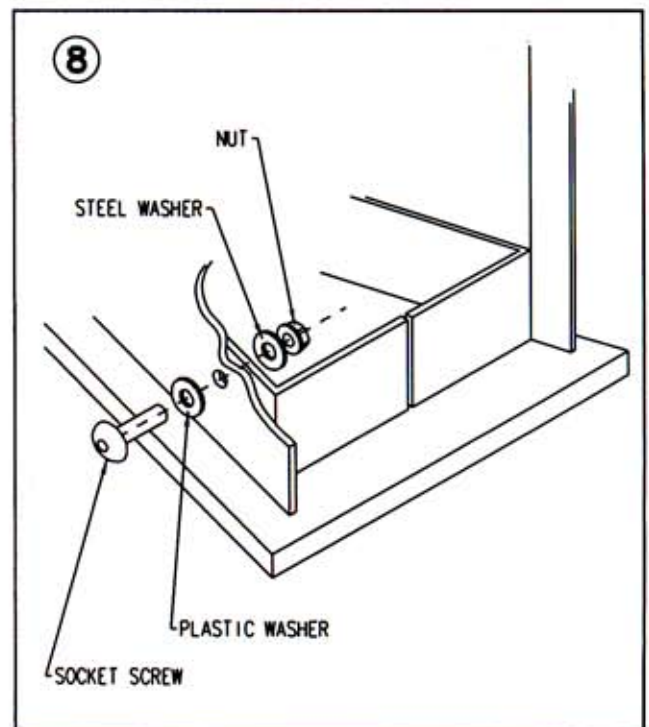


5) Remove the base plate. Using a 10mm diameter masonry drill bit drill to a depth of 80mm in the 3 marked positions. Clear excess dust from the holes. (With paving flags drill through the flag).

6) Relocate the base plate and insert the 3 ground fixing bolts into the drilled holes and drive until the nut and washer contact the base plate as shown above.



7) Tighten the nuts with a 17mm box spanner or socket until the fixings are secure. Maximum torque setting 20lb/ft.

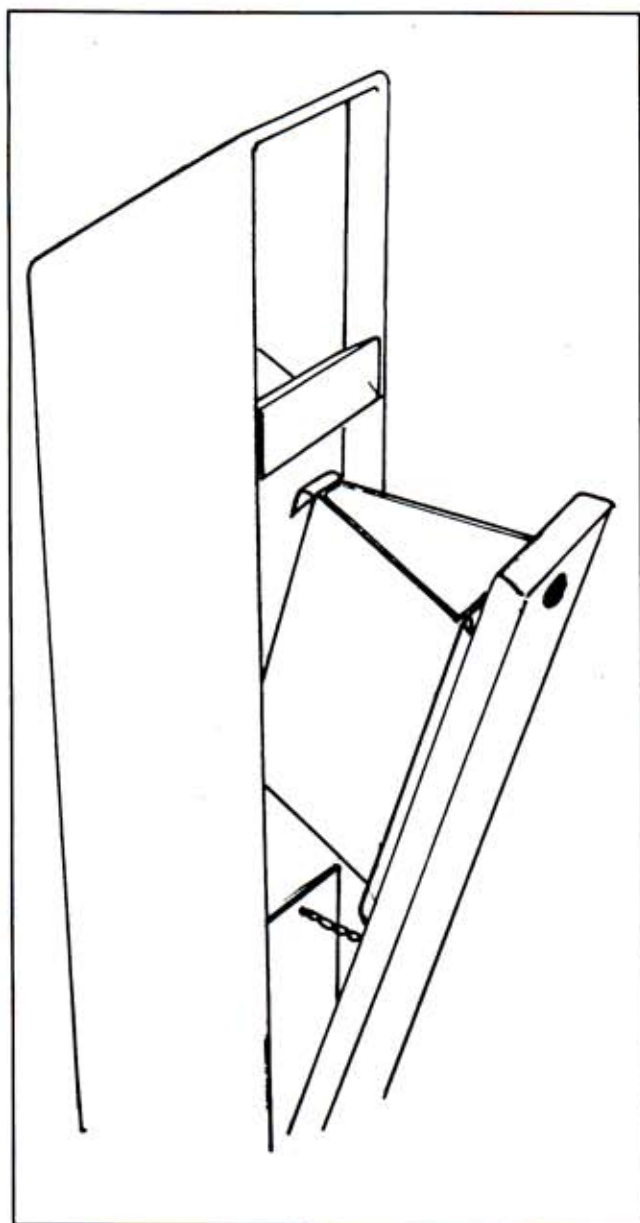


8) Reposition the main body of the unit over the base plate. Replace and secure the socket screws, washers and nuts, ensuring orientation is as shown.

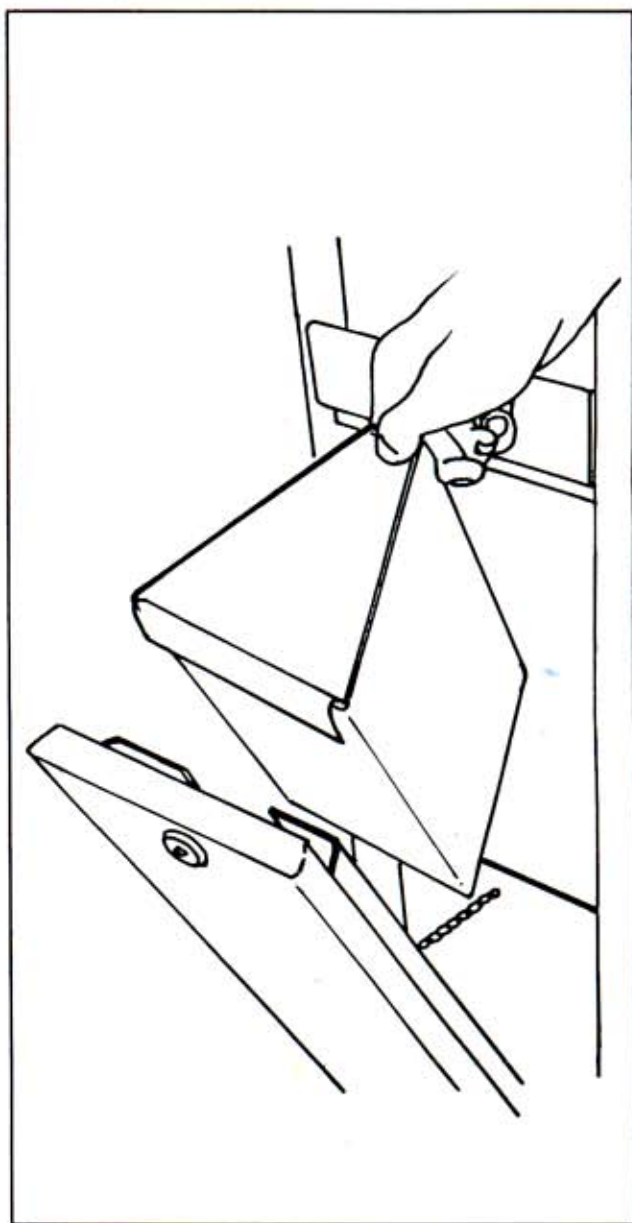
9) Relocate the door and refit the securing chain to the body.

10) Replace the liner and close and lock the door.
Note: See separate instructions for flush ground fixing or weighted base plate options.

User Instructions



2



- 1) Using the key provided open the door to the unit. Then door will drop forward, restricted by a chain.
- 2) The liner is now accessible. Using the handle at the rear of the liner lift the liner from its location point on the back of the door. Empty the contents of the liner.
- 3) Replace the liner by hooking it onto the back of the door.
- 4) Push the door closed and lock using the key provided.

5) Regular cleaning is essential

To maintain the pristine appearance of this quality product all surfaces of the unit should be regularly cleaned with warm soapy water and thoroughly rinsed. WD 40 or an equivalent product is recommended for the removal of any light staining that may occur on the stainless steel variant. This is important in maintaining both the outward appearance of the product and ensuring ease of operation.

- A planned maintenance schedule of regular inspection is recommended, replacing components as necessary.
- Replacement components are available direct from GLASDON.
- GLASDON cannot be held responsible for claims arising from incorrect installation, unauthorised modifications or misuse of the product.

 **Glasdon** AND ASHGUARD™ ARE TRADEMARKS OR REGISTERED TRADEMARKS OF GLASDON GROUP OR ITS SUBSIDIARIES IN THE U.K. AND OTHER COUNTRIES.

Issue 4 May 2005 Stock no. C000/0082
© Copyright May 2005

Glasdon reserve the right to alter specification without prior notice.



Glasdon®

Glasdon U.K. Limited

Preston New Road
BLACKPOOL
Lancashire
FY4 4UL

Tel: (01253) 600410
Fax: (01253) 792558
e-mail: sales@glasdon-uk.co.uk
web: www.glasdon.com